

	operation when directly connected to chimney		operation when connected accumulation mass	
	cupola	hot air exchanger	cupola	adaptor
Energy label	<b>A</b>	<b>A+</b>	<b>A+</b>	<b>A+</b>
<b>Operating data</b>				
Nominal heat power	6 kW	9 kW	----	----
Efficiency	> 80 %	> 80 %	----	----
Consumption of wood	1,8 kg/h	2,6 kg/h	4,5 kg	4,5 kg
Total heat output of the burning chamber	----	----	18 kW	18 kW
Mass flow of flue gas	6,1 g/s	7,5 g/s	15 g/s	15 g/s
Required chimney pressure	12 Pa	12 Pa	12 Pa	15 Pa
Required amount of combustion air	20 m <sup>3</sup> /h	25 m <sup>3</sup> /h	45 m <sup>3</sup> /h	45 m <sup>3</sup> /h
<b>Average flue gas temperature</b>				
on the output	232 °C	255 °C	383 °C	397 °C
past 3,4 m of ceramic accumulation system KMS 300 <sup>1</sup>	----	----	186 °C	----
past accumulation rings (5x acc. ring Ø440mm)	----	----	----	229 °C
<b>Heat distribution</b>				
fireplace insert	74–84 %	74–84 %	40 %	34 %
door glass (single / double)	26 / 16 %	26 / 16 %	26 / 16 %	26 / 16 %
adjoining accumulation mass	----	----	34–44 %	40–50 %
<b>Information for ventilated builds</b>				
Minimal grill area supply / outgoing	600 / 700 cm <sup>2</sup>	900 / 1050 cm <sup>2</sup>	900 / 1050 cm <sup>2</sup>	900 / 1050 cm <sup>2</sup>
Minimum distance from insulated areas / floor	50 / 0 mm		50 / 0 mm	
Reference insulation <sup>2</sup> ceiling / back wall / side wall / floor	120 / 80 / 80 / 0 mm		120 / 80 / 80 / 0 mm	
Calciumsilicate insulation <sup>3</sup> ceiling / back wall / side wall / floor	90 / 60 / 60 / 0 mm		90 / 60 / 60 / 0 mm	
<b>Information for non-ventilated builds (closed grills)</b>				
Minimum radiant area <sup>4</sup>	3 m <sup>2</sup>		4 m <sup>2</sup>	
Minimum distance from insulated areas / floor	50 / 20 mm		50 / 20 mm	
Reference insulation <sup>2</sup> ceiling / back wall / side wall / floor	160 / 100 / 100 / 20 mm		160 / 100 / 100 / 20 mm	
Calciumsilicate insulation <sup>3</sup> ceiling / back wall / side wall / floor	120 / 75 / 75 / 20 mm		120 / 75 / 75 / 20 mm	
<b>General technical information</b>				
Total weight / lining weight	ca. 147 / 64 kg		ca. 147 / 64 kg	
Burning chamber dimensions (width x depth)	305 x 305 mm			
Combustion air connection	Ø 125 mm			
Use in non-ventilated accumulation builds according to craft rules	suitable			
Tested according to	EN 13229			
Meets values	1. BlmSchV (Stufe2), 15a BVG			

<sup>1</sup> Listed value from testing. For accurate results is evaluation of each system in the Ortnr / KOV program necessary.

<sup>2</sup> Mineral wool according to AGI-Q 132

<sup>3</sup> Example SkamoEnclosure Board 225 kg/m<sup>3</sup>

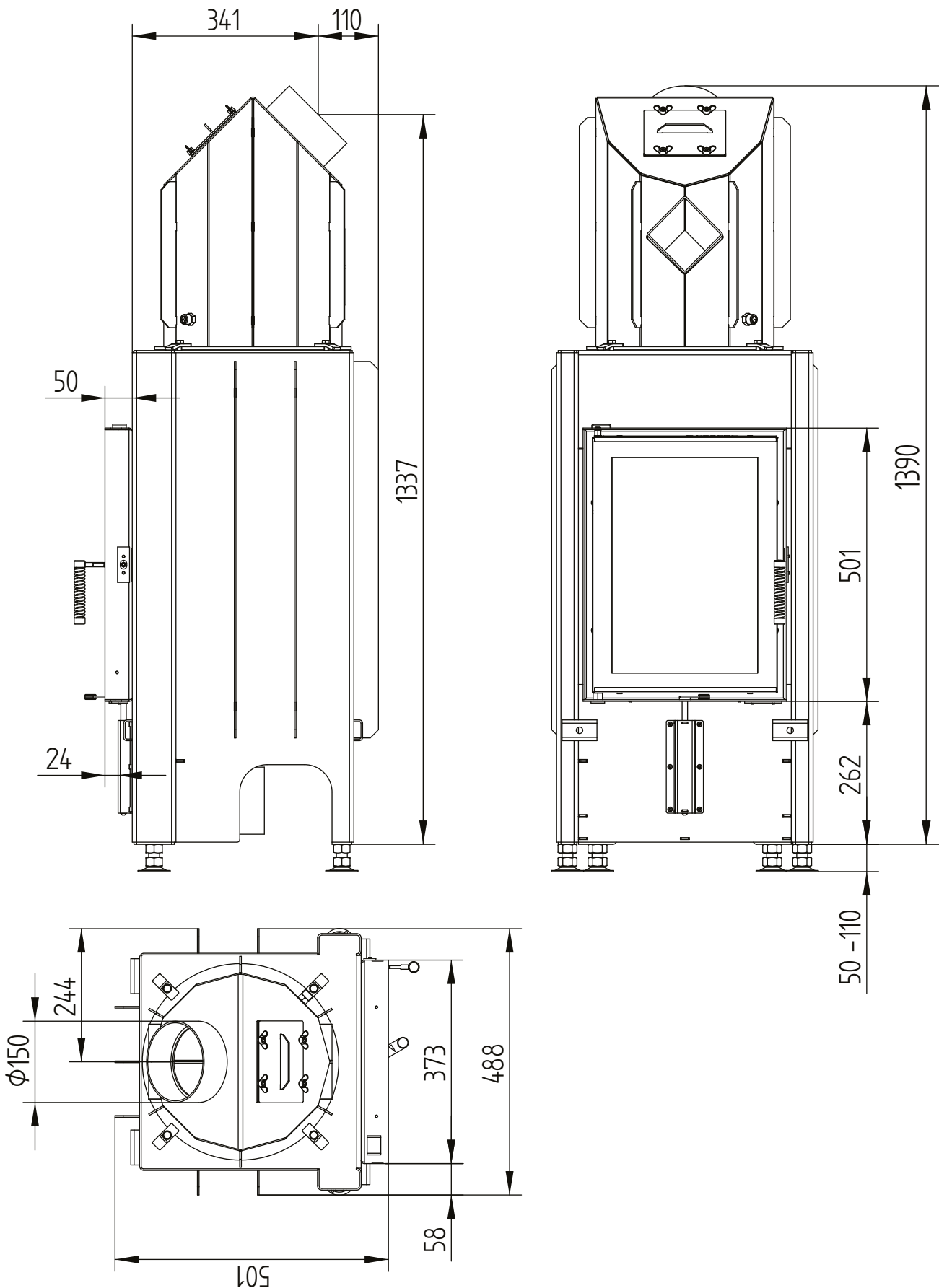
<sup>4</sup> Depends on accumulation period and material characteristics. Listed values calculated with chamotte stone thickness 30 mm with radiant area 500 W/m<sup>2</sup>

# HAKA 37/50

Technical data  
Version 2019/08

hot air exchanger 45°

M 1:10

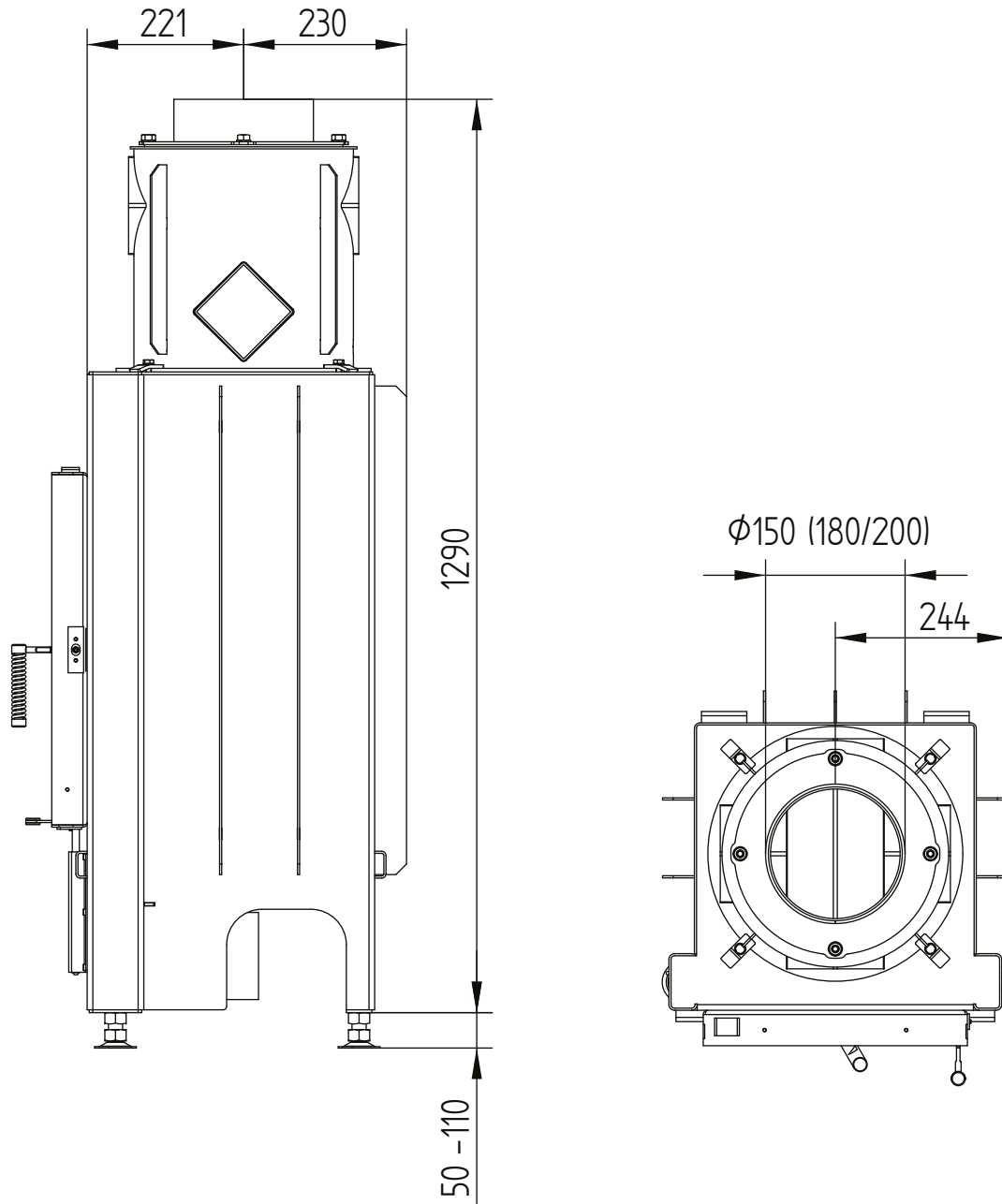


# HAKA 37/50

Technical data  
Version 2019/08

hot air exchanger vertical

M 1:10

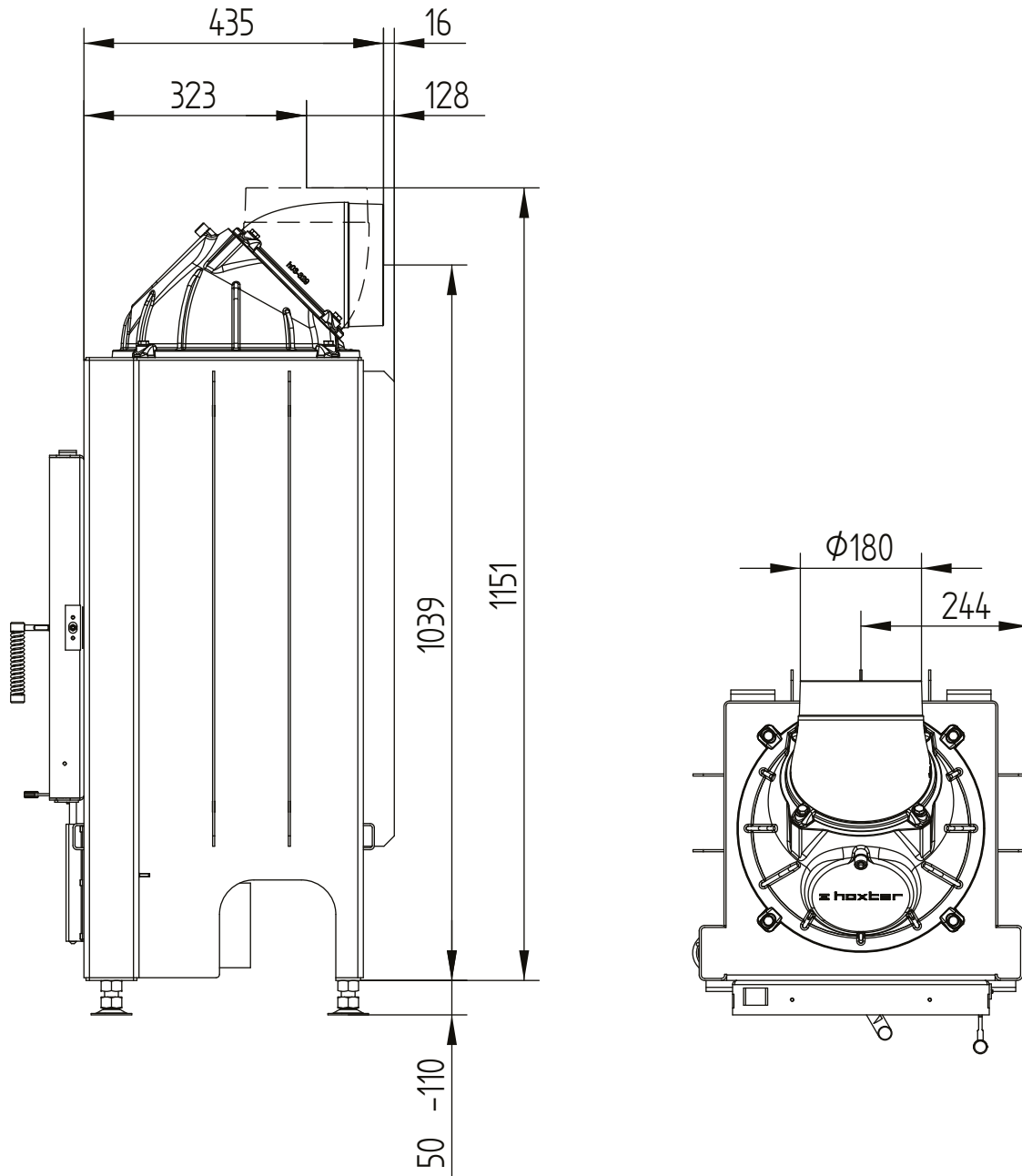


# HAKA 37/50

Technical data  
Version 2019/08

cupola

M 1:10

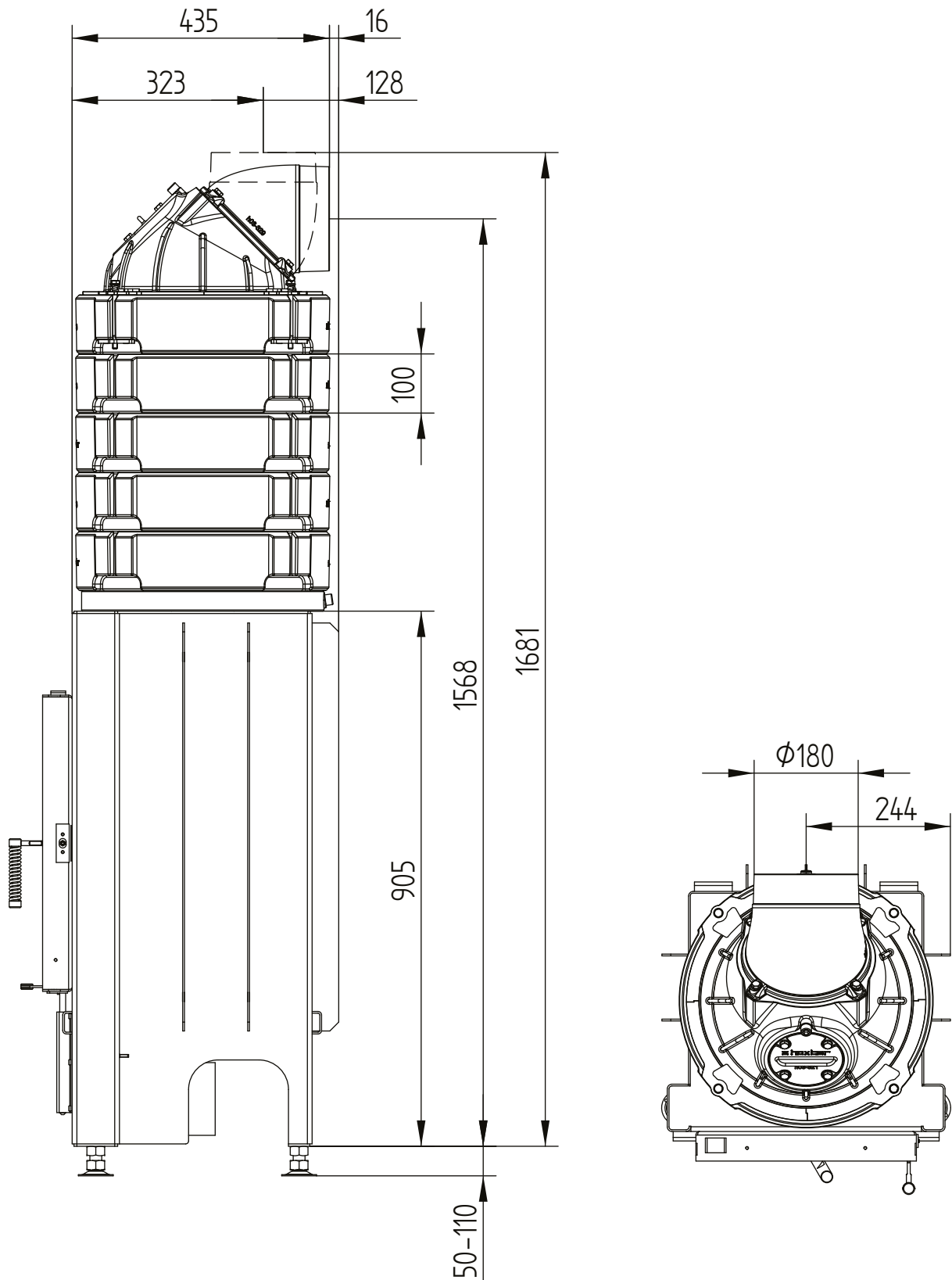


# HAKA 37/50

Technical data  
Version 2019/08

accumulation rings

M 1:10

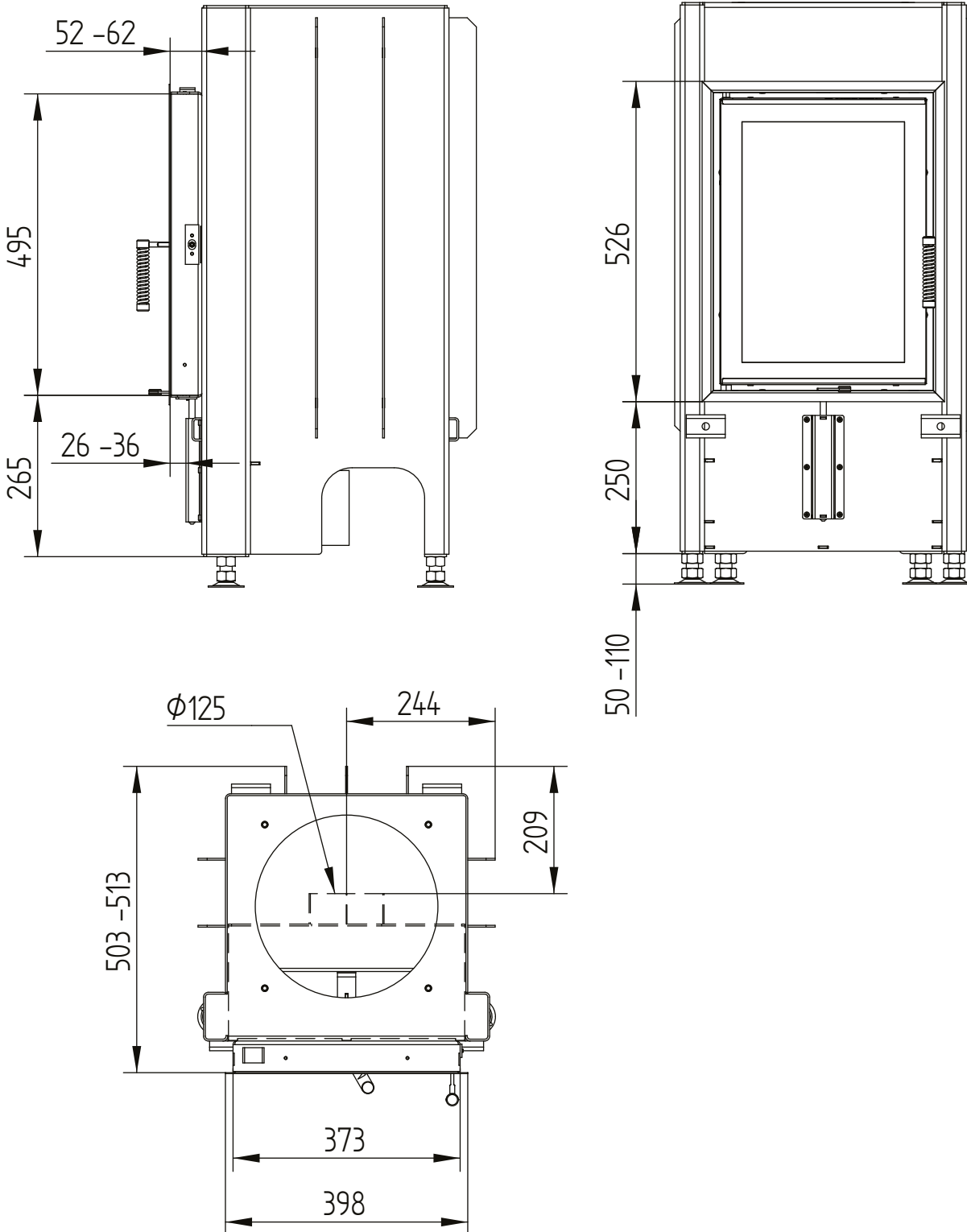


# HAKA 37/50

Technical data  
Version 2019/08

cover frame 37/50 4sides 1 x 90° 50 mm / air intake

M 1:10



# HAKA 37/50

Technical data  
Version 2019/08

cover frame 37/50 4sides 2 x 45° 80 mm / feet

M 1:10

